

WARRANTY STATEMENT

During the applicable warranty period, any Total Protection Solutions™ surge protector device which fails due to defect in materials, workmanship, or any electrical anomaly, including lightning, shall be repaired or replaced at TPS's discretion without charge. The applicable warranty period for the TPS surge protective device is outlined below in the Warranty Period section. The warranty period for any repaired devices or replacement devices will be only the remaining portions of the original limited warranty.

Within a reasonable time, but in no case to exceed forty-five (45) days, user shall contact Company's customer service department and obtain a Return Material Authorization (RMA) before returning any products. User shall ship the product(s), with proof of purchase, to Company freight prepaid.

The Company shall have no liability under this warranty for problems or defects directly or indirectly caused by misuse of the Product, alteration of the Product (including removal of any warning labels), accidents, improper installation, application, operation or improper repair of the Product.

THIS WARRANTY REPRESENTS THE ENTIRE WARRANTY OF THE COMPANY. ALL OTHER WARRANTIES EXPRESS OR IMPLIED, ORAL OR WRITTEN, INCLUDING, BUT NOT LIMITED TO, THE WARRANTIES OF MERCHANT ABILITY AND FITNESS FOR A PARTICULAR PURPOSE ARE HEREBY DISCLAIMED.

The liability of the Company, at its sole option, under this warranty is expressly limited to the replacement or repair of the defective part thereof. IN NO EVENT SHALL THE COMPANY BE LIABLE OR RESPONSIBLE FOR SPECIAL, INCIDENTAL, OR CONSEQUENTIAL DAMAGES OF ANY KIND OR CHARACTER, NOR SHALL ITS LIABILITY EVER EXCEED THE PURCHASE PRICE PAID TO COMPANY FOR SUCH DEFECTIVE PRODUCT.

This warranty is not transferable and may only be enforced by the original purchaser. Claims under this warranty must be submitted to Total Protection Solutions, LLC. within thirty (30) days of discovery of any suspected product defect.

Warranty Period

TK-CT2-190TLP1-TB	Ten Years Unlimited Free Replacement
TK-CT2-190TLP2-TB	
TK-CT2-190TLP4-RJ-T1/E1-C	
TK-CT2-190TLP5-TB	

SAVE THESE INSTRUCTIONS

Note: If devices are received damaged, notify the shipping company immediately. Retain containers and packing materials for inspection.

International Innovative Systems
(800)853-8265 www.TPSCanada.ca



ComTrack™

Surge Protection Device

ComTrack™ TLP Phone Line Protection

Installation Operation and Maintenance Manual

CAUTION - IMPORTANT SAFETY INSTRUCTIONS

1. Never install telephone wiring during a lightning storm.
2. This product is for **INDOOR USE ONLY**.
3. TLP Series suppressors are intended for use on the equipment side of UL 497 listed Primary Protectors.
4. Read and understand all instructions prior to installation and operation.

INSTALLATION

The **TLP Series** of products is easy to install. The following instructions clearly explain each step:

NOTE: Make sure you follow the installation instructions exactly; if the suppressor is improperly installed, the current limiting feature could be rendered inoperable.

A. TLP Modular Jack Interface Models:

1. Connect the Load (protected) Side of the **TLP Series** product to your communications equipment using a straight through modular, twisted pair, cable of the shortest possible length.
Note: RJ Jacks used on the TLP-RJ Series are 8 position RJ45.
2. Connect your incoming (unprotected) telephone cable to the Line (unprotected) Side of the **TLP Series** product.
3. Connect a #14 AWG ground wire from one of the unit's securing screws and secure it to the nearest available chassis ground.

B. TLP Terminal Block Interface Models:

1. Connect the Load (protected) Side of the **TLP Series** product to your communications equipment using straight wire hookups as short as possible.
2. Connect your incoming (unprotected) telephone cable to the Line (unprotected) Side of the **TLP Series** product.
3. Connect a #14 AWG ground wire from the unit's ground stud and secure it to the nearest available chassis ground.

NOTE: If you have any questions as to how your equipment is grounded, consult the manufacturer's user manual(s).

GROUNDING

The unit's ground stud must be connected to the ground reference used by the system being protected. In a computer room environment this grounding point may be the ground bar in the AC power panel. Ground leads longer than 12" are not recommended.

PERFORMANCE NOTE

The grounding wire must be as short as possible. Minimize length to the centimeter/inch and use a minimum of No.14 AWG wire.

INDEPENDENT GROUNDS

Surge protection devices must not be connected to ground points that are independent of AC ground.

MOUNTING INFORMATION

The TLP Series is offered in 2 Case Sizes. Each unit is provided with a universal mounting bracket and a Din Rail clip(s). The bracket enables units to be mounted in several different planes as shown in the drawings.

The Din Rail clip is not necessary when mounting units to hard surfaces, however should you want to mount the device to a din rail, the clip mates to a standard DIN 35 Rail.

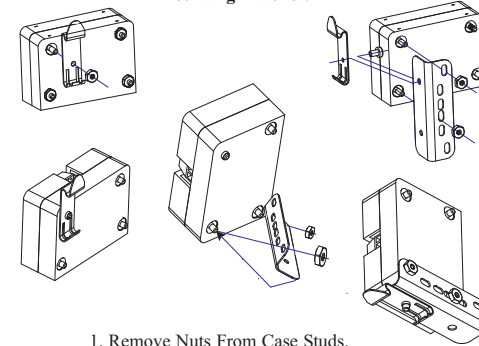
CASE A

- MATERIALS
- 1 TLP Unit
 - 1 Din Clip
 - 1 Mounting Bracket
 - 1 Screw

Attaching The Din Rail Mounting Clip:

1. Remove Nut From Desired Stud Location.
2. Spin Din Clip on to the Stud.
3. Replace Nut & Secure.

Attaching The Mounting Bracket:



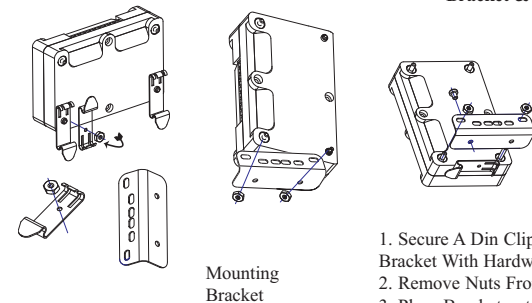
Combination Use: Mounting Bracket & Din Rail Clip:

1. Secure Din Clip To Mounting Bracket With Hardware Provided
2. Remove Nuts From Case Studs.
3. Place Bracket onto Studs.
3. Replace Nuts & Secure.

CASE B

- MATERIALS
- 1 TLP Unit
 - 2 Din Clips
 - 1 Mounting Bracket
 - 2 Screws

Din Clips



Mounting Bracket

Combination Use: Mounting Bracket & Din Rail Clip:

1. Secure A Din Clip To The Mounting Bracket With Hardware Provided
2. Remove Nuts From Case Studs.
3. Place Bracket onto Studs.
4. Replace Nuts & Secure.

Grounding is accomplished via any of the four corner securing screws on the units. When the din rail clip is used it will pick up a ground connection becoming part of the unit's ground. A ground lug is also provided and can accommodate up to a #10 AWG ground wire. The ground lug can be secured to any one of the four corner screws in order to obtain a ground point. **NOTE:** It is always best to test grounds to verify their existence before relying on them to protect sensitive equipment.

WARNING

Should your equipment or building be subject to a direct lightning strike, this product may not provide complete protection.

NOTE: The protected device/equipment should also have AC protection because it is still vulnerable to transients on the power lines. Omitting AC protection poses a continued threat of failures at the communication interface.